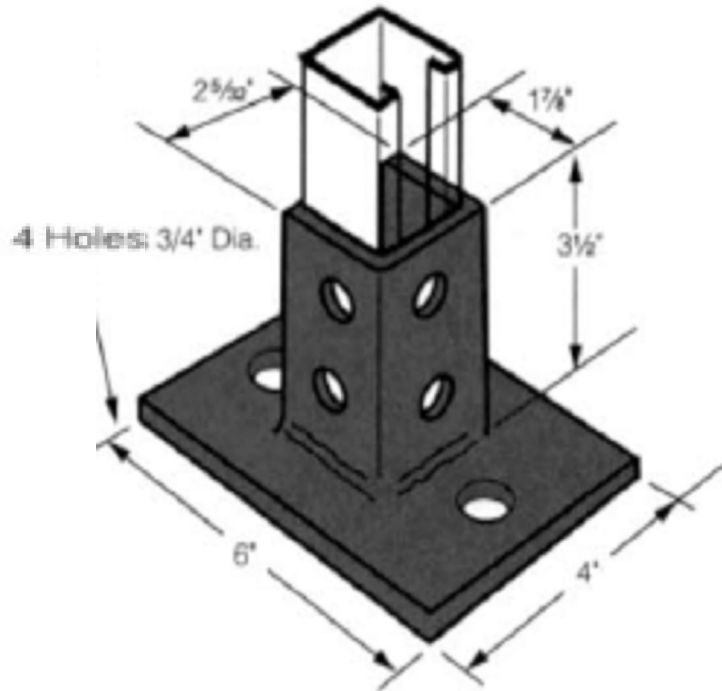




411 BURNHAM ST.
 P.O. BOX 280186
 EAST HARTFORD, CT 06108
 TEL (860) 289-0285 FAX (860) 282-1487
 TOLL FREE 1-800-969-0285

B 620-FL-1 SINGLE POST BASE

H-STRUT®



wt: 358#/C

DATA: 1/4" thick, 1 5/8" wide, holes 9/16" dia.
 spaced 1 7/8" on centers & 1 3/16" from end.

FINISH: Electro-Galvanized

SUBMITTAL INFORMATION

CUSTOMER:		APPROVAL STAMP
PROJECT NAME:		
PROJECT NUMBER:	SECTION:	
PARAGRAPH:	OTHER:	

REV: A

2008