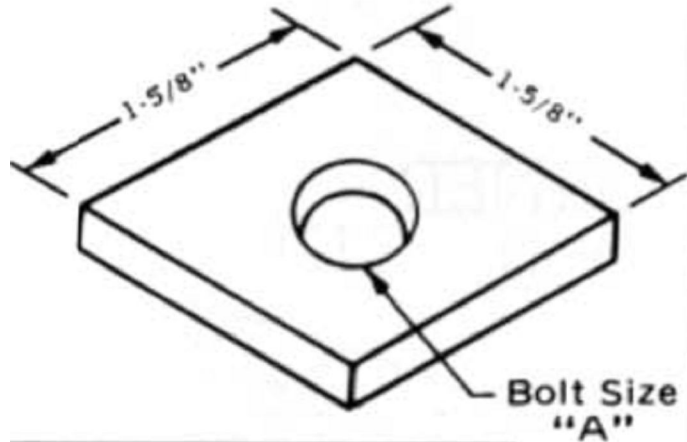




411 BURNHAM ST.  
 P.O. BOX 280186  
 EAST HARTFORD, CT 06108  
 TEL (860) 289-0285 FAX (860) 282-1487  
 TOLL FREE 1-800-969-0285

# F 201 SQUARE WASHER

## H-STRUT®



DATA: 1/4" thick, 1 5/8" wide, holes 9/16" dia.,  
 spaced 1 7/8" on center & 1 3/16" from end.

FINISH: Electro-Galvanized

Figure No.	A	Wt. Per 100 Pcs.:
F-201	5/16"	18
F-201	3/8"	18
F-201	1/2"	17
F-201	5/8"	16
F-201	3/4"	15

### SUBMITTAL INFORMATION

CUSTOMER:		APPROVAL STAMP
PROJECT NAME:		
PROJECT NUMBER:	SECTION:	
PARAGRAPH:	OTHER:	

REV: A

2008