



411 BURNHAM ST.
 P.O. BOX 280186
 EAST HARTFORD, CT 06108
 TEL (860) 289-0285 FAX (860) 282-1487
 TOLL FREE 1-800-969-0285

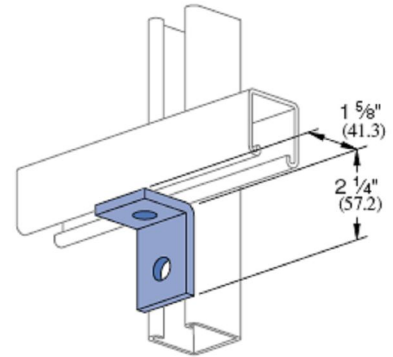
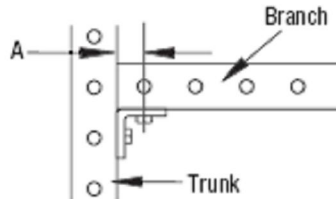
P 1068 NINETY DEGREE ANGLE FITTING



Cutting Chart

Fitting	1 5/8" (41.3) Branch		1 7/8" (47.6) Branch	
	Trunk	Trunk	Trunk	Trunk
P1065	1 5/8" (41.3)	1 7/8" (47.6)	1 5/8" (41.3)	1 7/8" (47.6)
P1066	A	A	A	B
P1068	A	A	A	B
	C	NR	NR	NR

This table shows the value for "A" when using the specified fitting to connect the branch and trunk. Sizes "A" and "B" can be cut with the cutting alignment gauge (P9207). Other sizes require special cutting. Those marked NR are not recommended.



Wt/100 pcs: 38 Lbs (17.2 kg)

Legend

Designator	"A"	Designator	"A"
A	1 1/16" * 26.9	F	7/16" * 11.1
B	1 5/16" * 23.8	G	1 5/32" * 26.6
C	1 3/16" * 20.6	NR	Not Recommended
D	1 1/4" * 31.8	†	Special Cutting Req'd (See part dwg)
E	5/8" * 15.9		

DESIGN LOAD DATA FOR TYPICAL UNISTRUT CHANNEL CONNECTIONS

90° Fittings (When used in position shown)

Load – P1068		Channel Thickness		
		12 ga.	14 ga.	16 ga.
LOAD	Lbs	500	500	500
	kg	226.8	226.8	226.8

Standard Dimensions for 1 5/8" (41 mm) width series channel fittings (Unless Otherwise Shown on Drawing)

Hole Diameter: 5/16" (14.3mm); Hole Spacing - From End: 1 3/16" (20.6 mm); Hole Spacing - On Center: 1 7/8" (47.6 mm); Width: 1 5/8" (41mm); Thickness: 1/4" (6.4mm)

SUBMITTAL INFORMATION

CUSTOMER:		APPROVAL STAMP
PROJECT NAME:		
PROJECT NUMBER:	SECTION:	
PARAGRAPH:	OTHER:	

REV: A

2008