



STEEL BEAM CLAMP

EMPIRE INDUSTRIES, INC. FIG. #155
B-LINE FIG. #B3055

411 BURNHAM ST.
P.O. BOX 280186
EAST HARTFORD, CT 06108
TEL (860) 289-0285 FAX (860) 282-1487
TOLL FREE 1-800-969-0285

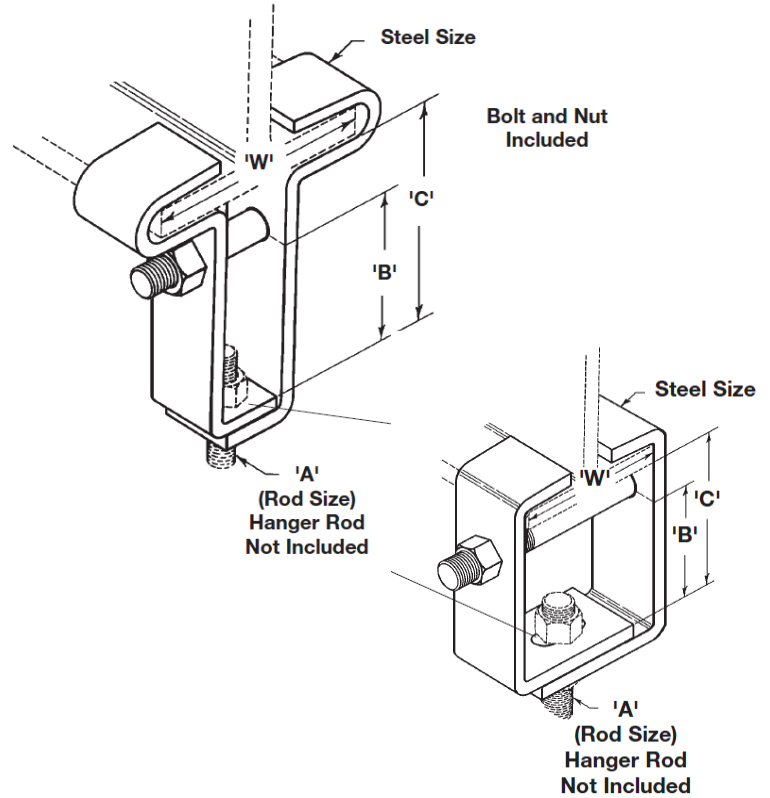
MATERIAL: CARBON STEEL STAINLESS STEEL

FINISH: PLAIN ELECTRO-GALVANIZED PAINTED

SERVICE: DESIGNED FOR ATTACHING HANGER RODS TO BE CENTERED UNDER BEAM FLANGES. THE CLAMP PROVIDES A VERTICAL ADJUSTMENT OF APPROXIMATELY 2 INCHES.

ORDERING: SPECIFY CLAMP SIZE, BEAM THICKNESS, FLANGE WIDTH, FIGURE NUMBER AND FINISH.

NOTE: BOX STYLE TYPICAL FOR LARGER SIZES.



| CLAMP SIZE | STOCK SIZE | A | B | C | MAX REC LOAD (LBS) |
|------------|-------------|-------|-------|-------|--------------------|
| 1 | 1/4 x 1 1/4 | 3/8 | 4 | 3 | 550 |
| 2 | 1/4 x 1 1/2 | 1/2 | 4 | 3 | 850 |
| 3 | 3/8 x 1 1/2 | 5/8 | 4 1/2 | 3 1/4 | 1100 |
| 4 | 3/8 x 2 | 3/4 | 4 1/2 | 3 1/4 | 1500 |
| 5 | 1/2 x 2 | 7/8 | 5 | 3 1/2 | 2600 |
| 6 | 1/2 x 2 1/2 | 1 | 5 | 3 1/2 | 4300 |
| 7 | 5/8 x 3 | 1 1/8 | 5 1/2 | 3 1/2 | 6100 |
| 8 | 5/8 x 4 | 1 1/4 | 5 1/2 | 3 1/2 | 8000 |

SUBMITTAL INFORMATION

| | | |
|-----------------|----------|----------------|
| CUSTOMER: | | APPROVAL STAMP |
| PROJECT NAME: | | |
| PROJECT NUMBER: | SECTION: | |
| PARAGRAPH: | OTHER: | |

REV: A

2008