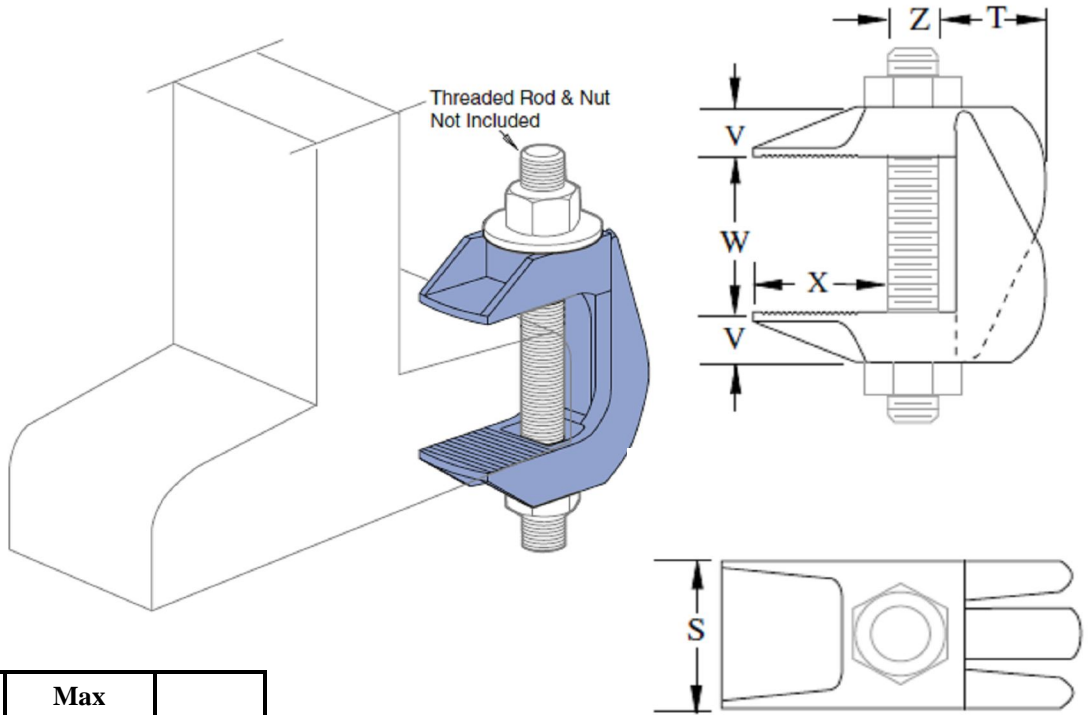




# FLANGE CLAMP PLF9037 THRU PLF9100

Unistrut

411 BURNHAM ST.  
P.O. BOX 280186  
EAST HARTFORD, CT 06108  
TEL (860) 289-0285 FAX (860) 282-1487  
TOLL FREE 1-800-969-0285



**Safety Factor: 5**

PART NUMBER	ROD SIZE	WT./100 pcs Lbs (kg)	Max Allowable Load Lbs (kg)	Torque Ft-Lbs
PLF9037	3/8"	55 (24.9)	440 (199.6)	15
PLF9050	1/2"	122 (55.3)	630 (285.8)	29
PLF9062	5/8"	200 (90.7)	1,260 (571.5)	69
PLF9075	3/4"	367 (166.5)	1,880 (852.8)	131
PLF9100	1"	1,101 (499.4)	3,150 (1428.8)	173

Dimensions					
Part Number	"X" In (mm)	"W" In (mm)	"V" In (mm)	"T" In (mm)	"S" In (mm)
PLF9037	1 (25.4)	3/4 - 1 11/16 (19.1 - 42.9)	1/2 (12.7)	3/4 (19.1)	1 (25.4)
PLF9050	1 3/8 (34.9)	1 - 2 3/8 (25.4 - 60.3)	21/32	15/16	1 3/16
PLF9062	1 11/16 (42.9)	1 1/8 - 2 3/4 (28.6 - 69.9)	13/16 (20.6)	1 1/8 (28.6)	1 3/8 (34.9)
PLF9075	2 (50.8)	1 1/4 - 3 1/4 (31.8 - 182.6)	1 (25.4)	1 3/8 (34.9)	1 3/4 (44.5)
PLF9100	3 (76.2)	1 3/4 - 3 3/4 (44.5 - 95.3)	1 1/2 (38.1)	2 3/16 (55.6)	2 1/2 (63.5)

**Material:** Malleable Iron Only

### SUBMITTAL INFORMATION

CUSTOMER:		APPROVAL STAMP	
PROJECT NAME:			
PROJECT NUMBER:	SECTION:		
PARAGRAPH:	OTHER:		

REV: A

2008