

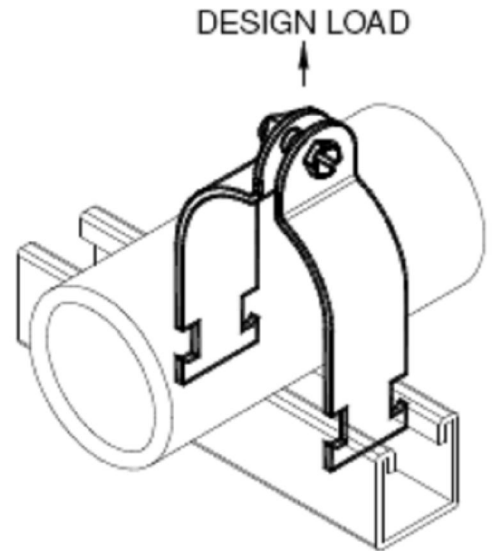


EMT STRUT CLAMP

JET STREAM

411 BURNHAM ST.
 P.O. BOX 280186
 EAST HARTFORD, CT 06108
 TEL (860) 289-0285 FAX (860) 282-1487
 TOLL FREE 1-800-969-0285

STANDARD FINISH: ZINC ELECTROPLATE



SCE
EMT Strut Clamp

Catalog Number	EMT Size		O.D.		Design Load	
	Inch	Metric	in.	mm	lbs	kN
SCE 0050EG	1/2	15	0.706	17.9	400	1.78
SCE 0075EG	3/4	20	0.922	23.4	400	1.78
SCE 0100EG	1	25	1.163	29.5	600	2.67
SCE 0125EG	1-1/4	32	1.510	38.4	600	2.67
SCE 0150EG	1-1/2	40	1.740	44.2	800	3.56
SCE 0200EG	2	50	2.197	55.8	800	3.56

SUBMITTAL INFORMATION

CUSTOMER:		APPROVAL STAMP	
PROJECT NAME:			
PROJECT NUMBER:	SECTION:		
PARAGRAPH:	OTHER:		