

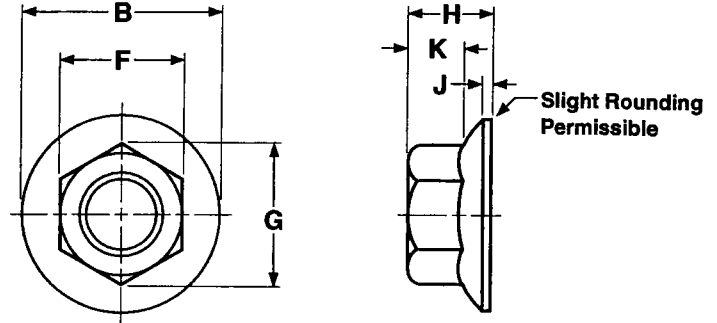


Serrated Flange Lock Nuts

18-8 STAINLESS STEEL

411 BURNHAM ST.
P.O. BOX 280186
EAST HARTFORD, CT 06108
TEL (860) 289-0285 FAX (860) 282-1487
TOLL FREE 1-800-969-0285

INCLUDES GRADES 302, 302HQ, 303, 304, 305



TENSILE: 100,000 - 125,000 PSI APPROX

YIELD: 55,000 - 75,000 PSI APPROX

HARDNESS: 100 ROCKWELL B MIN

ELONGATION: 30% APPROX

MAGNETIC PERMEABILITY: 2.0 MAX

Nominal Size or Basic Major Diameter of Thread	F		G		B		H		K	J
	Width Across Flats		Width Across Corners		Flange Diameter		Nut Thickness		Wrenching Length	Flange Thickness
	Max.	Min.	Max.	Min.	Max.	Min.	Max.	Min.	Min.	Max.
6 0.1380	0.312	0.302	0.361	0.342	0.422	0.406	0.171	0.156	0.10	0.02
8 0.1640	0.344	0.334	0.397	0.381	0.469	0.452	0.203	0.187	0.13	0.02
10 0.1900	0.375	0.365	0.433	0.416	0.500	0.480	0.219	0.203	0.13	0.03
12 0.2160	0.438	0.428	0.505	0.488	0.594	0.574	0.236	0.222	0.14	0.04
1/4 0.2500	0.438	0.428	0.505	0.488	0.594	0.574	0.236	0.222	0.14	0.04
5/16 0.3125	0.500	0.489	0.577	0.557	0.680	0.660	0.283	0.268	0.17	0.04
3/8 0.3750	0.562	0.551	0.650	0.628	0.750	0.728	0.347	0.330	0.23	0.04
7/16 0.4375	0.688	0.675	0.794	0.768	0.937	0.910	0.395	0.375	0.26	0.04
1/2 0.5000	0.750	0.736	0.866	0.840	1.031	1.000	0.458	0.437	0.31	0.05
5/8 0.6250	0.938	0.922	1.083	1.051	1.281	1.248	0.569	0.545	0.40	0.05
3/4 0.7500	1.125	1.088	1.299	1.240	1.500	1.460	0.675	0.627	0.46	0.06

SUBMITTAL INFORMATION	
CUSTOMER:	APPROVAL STAMP
PROJECT NAME:	
PROJECT NUMBER:	
SECTION:	
PARAGRAPH:	