



411 BURNHAM ST.
 P.O. BOX 280186
 EAST HARTFORD, CT 06108
 TEL (860) 289-0285 FAX (860) 282-1487
 TOLL FREE 1-800-969-0285

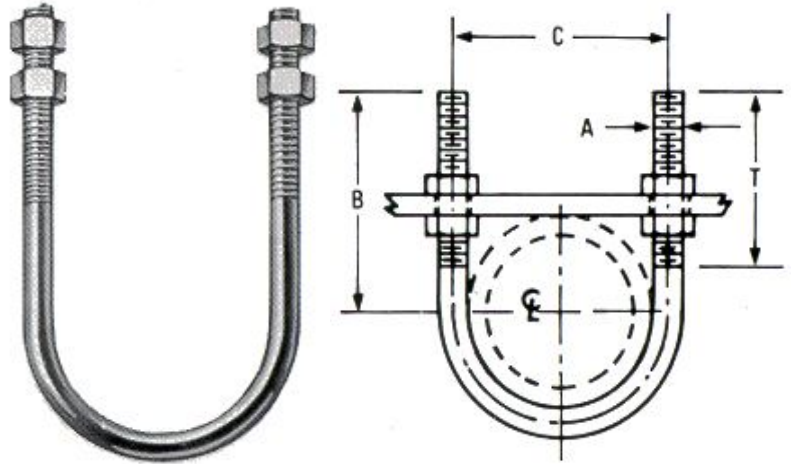
STANDARD U-BOLT NEFCO FIG #N137

EMPIRE INDUSTRIES, INC. FIG. #137
 ERICO FIG. #150M
 TOLCO FIG. #110

MATERIAL: CARBON STEEL 304 STAINLESS STEEL
 316 STAINLESS STEEL

SERVICE: RECOMMENDED FOR SUPPORT, ANCHOR OR GUIDE OF PIPE.

APPROVALS: COMPLIES WITH FEDERAL SPECIFICATION WW-H-171E (TYPE 24) AND MANUFACTURERS STANDARDIZATION SOCIETY SP-58 AND SP-69 (TYPE 24).



PIPE SIZE	A	B	C	T	WGT./C APPROX.	MAX. REC. LOAD, LB.
1/2	1/4	2 3/4	1 3/16	2 3/8	11	485
3/4	1/4	2 3/4	1 3/8	2 3/8	12	485
1	1/4	2 3/4	1 5/8	2 3/8	12	485
1 1/4	3/8	2 7/8	2 1/16	2 3/8	28	1220
1 1/2	3/8	3	2 3/8	2 1/2	30	1220
2	3/8	3 1/4	2 13/16	2 1/2	33	1220
2 1/2	1/2	3 3/4	3 7/16	3	73	2260
3	1/2	4	4 1/16	3	78	2260
3 1/2	1/2	4 1/4	4 9/16	3	84	2260
4	1/2	4 1/2	5 1/16	3	90	2260
5	1/2	5	6 1/8	3	101	2260
6	5/8	6 1/8	7 3/8	3 3/4	197	3620
8	5/8	7 1/8	9 3/8	3 3/4	233	3620
10	3/4	8 3/8	11 5/8	4	491	5420
12	7/8	9 5/8	13 3/4	4 1/4	773	7540
14	7/8	10 1/4	15	4 1/4	828	7540
16	7/8	11 1/4	17	4 1/4	915	7540
18	1	12 5/8	19 1/8	4 3/4	1348	9920
20	1	13 5/8	21 1/8	4 3/4	1457	9920
24	1	15 5/8	25 1/8	4 3/4	1687	9920

ALSO AVAILABLE IN STAINLESS STEEL. NUTS AND PLATES SOLD SEPARATELY.

SUBMITTAL INFORMATION		
CUSTOMER:	APPROVAL STAMP	
PROJECT NAME:		
PROJECT NUMBER:		SECTION:
PARAGRAPH:		OTHER:

REV: C JULY 2007