



411 BURNHAM ST.  
 P.O. BOX 280186  
 EAST HARTFORD, CT 06108  
 TEL (860) 289-0285 FAX (860) 282-1487  
 TOLL FREE 1-800-969-0285

# VAN (BELL TYPE) HANGER COPPER PLATED

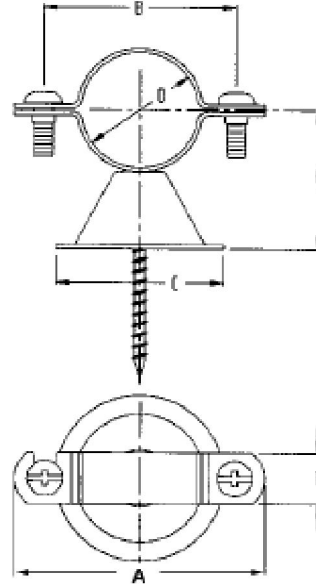
EMPIRE INDUSTRIES, INC. FIG #129CT  
 ERICO FIG. #BH

**MATERIAL:** CARBON STEEL

**FINISHES:** COPPER PLATED

**SERVICE :** DESIGNED TO SUPPORT COPPER TUBING TO WALL. SUPPORTS THE PIPE 1" FROM THE BACK OF PIPE TO WALL. THE WOOD SCREW IS CONCEALED UPON INSTALLATION.

**ORDERING:** SPECIFY TUBE SIZE, FINISH AND FIGURE NUMBER.



TUBE SIZE	D TUBE OD	A	B	C	H	T	WGT EACH (LBS) WITH SCREW
1/2	0.625	2 3/16	1 9/16	1 5/8	1 1/16	1/2	0.06
3/4	0.875	2 3/8	1 3/4	1 5/8	1 3/16	1/2	0.06
1	1.125	2 7/16	1 7/8	1 5/8	1 5/16	1/2	0.06
1 1/4	1.375	2 11/16	2 1/8	1 5/8	1 7/16	1/2	0.08
1 1/2	1.625	3 1/16	2 7/16	1 5/8	1 9/16	1/2	0.08
2	2.125	4 7/16	2 13/16	1 5/8	1 13/16	1/2	0.09

ASSEMBLED WITH #6 X 2 COARSE THREAD DRYWALL SCREW

### SUBMITTAL INFORMATION

CUSTOMER:		APPROVAL STAMP
PROJECT NAME:		
PROJECT NUMBER:	SECTION:	
PARAGRAPH:	OTHER:	