



# PS 1000 EMT CONDUIT CLAMP

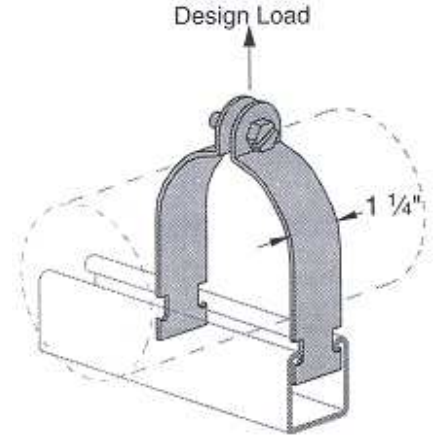


411 BURNHAM ST.  
P.O. BOX 280186  
EAST HARTFORD, CT 06108  
TEL (860) 289-0285 FAX (860) 282-1487  
TOLL FREE 1-800-969-0285

**MATERIAL:** POWERSTRUT PIPE CLAMPS ARE MADE ON PUNCH PRESS DIES FROM HOT ROLLED, PICKLED AND OILED, STEEL WHICH CONFORMS TO ASTM A-366, A-570, A-575, AND A-576 STANDARDS.

**FINISH:**  ELECTRO-GALVANIZED

**ORDERING:** WHEN ORDERING, ADD THE LENGTH OR SIZE AND FINISH TO THE PART NUMBER.



Note: For EMT larger than 2" use PS 1100

EMT SIZE	STOCK THICKNESS	HANGING LOAD RATING/LBS.	WT./ 100 PCS.
1/2"	.060	400	11
3/4"	.060	400	12
1"	.075	600	15
1 1/4"	.075	600	18
1 1/2"	.105	800	29
2"	.105	800	33

## SUBMITTAL INFORMATION

CUSTOMER:		APPROVAL STAMP
PROJECT NAME:		
PROJECT NUMBER:	SECTION:	
PARAGRAPH:	OTHER:	

REV: A

2008