



PS 1100 STANDARD PIPE CLAMP



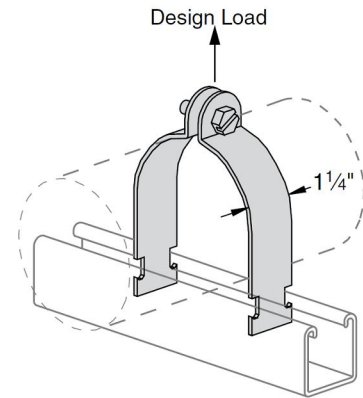
411 BURNHAM ST.
P.O. BOX 280186
EAST HARTFORD, CT 06108
TEL (860) 289-0285 FAX (860) 282-1487
TOLL FREE 1-800-969-0285

MATERIAL:

- 1100 ALUM - ALUMINUM CLAMP (IN ACCORDANCE TO ASTM B 2221 TYPE 6063-T6) WITH ELECTRO-GALVANIZED FASTENERS
- 1100 SS - STAINLESS STEEL (IN ACCORDANCE WITH ASTM A240, TYPE 304 OR TYPE 316) WITH STAINLESS STEEL FASTENERS

FINISH:

- PVC COATED (BLACK POLY VINYL CHLORIDE RESIN COATED TO A MAX THICKNESS OF 20 MILS)
- 1100 HDG - HOT DIP GALVANIZED (MATERIAL IS COATED WITH ZINC AFTER BEING ROLL-FORMED OR AFTER ALL MANUFACTURING OPERATIONS ARE COMPLETED, CONFORMS TO ASTM A123 OR A153 TO A THICKNESS OF 2.6 MIL) WITH STAINLESS STEEL FASTENERS.



PIPE SIZE	STOCK THICKNESS	HANGING LOAD RATING/LBS	WT./ 100 PCS
3/8"	.060	400	10
1/2"	.060	400	11
3/4"	.075	600	15
1"	.075	600	17
1 1/4"	.075	600	19
1 1/2"	.105	800	29
2"	.105	800	34
2 1/2"	.105	800	40
3"	.105	800	47
3 1/2"	.125	1000	62
4"	.125	1000	67
5"	.125	1000	80
6"	.135	1000	102
8"	.135	1000	130
10"	.135	1000	143
12"	.135	1000	174

SUBMITTAL INFORMATION

CUSTOMER:		APPROVAL STAMP
PROJECT NAME:		
PROJECT NUMBER:	SECTION:	
PARAGRAPH:	OTHER:	