

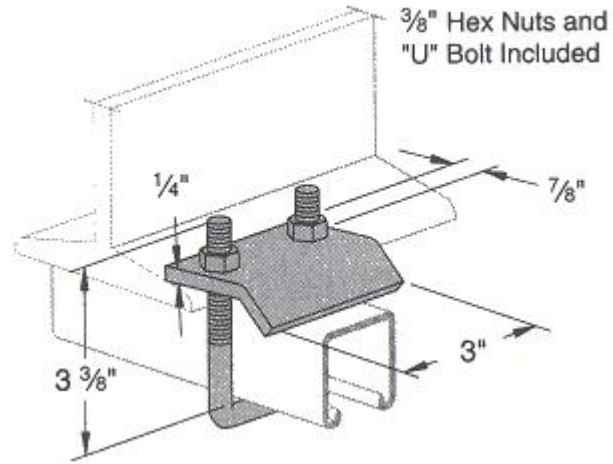


411 BURNHAM ST.  
 P.O. BOX 280186  
 EAST HARTFORD, CT 06108  
 TEL (860) 289-0285 FAX (860) 282-1487  
 TOLL FREE 1-800-969-0285

# PS 2651 T1 - T2 - T3 U-BOLT BEAM CLAMP 304 STAINLESS STEEL



**MATERIAL:** POWER-STRUT BEAM CLAMPS ARE COLD FORMED FROM HOT ROLLED, PICKLED AND OILED STEEL. SQUARE HEAD, CONE POINT SET SCREWS ARE FURNISHED WHERE NOTED. CAST IRON BEAM CLAMPS ARE MADE FROM HIGH QUALITY MALLEABLE IRON.



PART NO.	USE WITH	A	LOAD RATING (USED IN PAIRS)	WT. / 100 PCS
PS 2651 T1	PS 200, PS 210	3 3/8"	1,000	83
	PS 300, PS 400			
	PS 500, PS 520			
PS 2651 T2	PS 100, PS 150	5"	1,000	92
	PS 200 2T3			
PS 2651 T3	PS 150 2T3	8 1/4"	1,000	112
	PS 100 2T3			

### SUBMITTAL INFORMATION

CUSTOMER:		APPROVAL STAMP
PROJECT NAME:		
PROJECT NUMBER:	SECTION:	
PARAGRAPH:	OTHER:	

REV: A

2008