



PS 2657 DOUBLE U BEAM CLAMP 304 STAINLESS STEEL

411 BURNHAM ST.
P.O. BOX 280186
EAST HARTFORD, CT 06108
TEL (860) 289-0285 FAX (860) 282-1487
TOLL FREE 1-800-969-0285



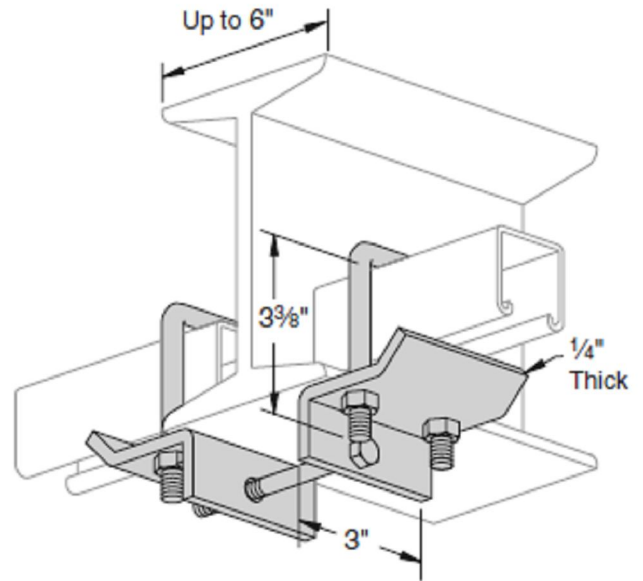
MATERIAL:

ALL POWER-STRUT BEAM CLAMPS ARE COLD FORMED FROM HOT ROLLED, PICKLED AND OILED STEEL. SQUARE HEAD, CONE POINT SET SCREWS ARE FURNISHED WHERE NOTED. CAST BEAM CLAMPS ARE MADE FROM HIGH QUALITY MALLEABLE IRON.

STANDARD FINISH: PLAIN ELECTRO-GALVANIZED

ORDERING INFORMATION: WHEN ORDERING, ADD THE LENGTH OR SIZE AND FINISH TO THE PART NUMBER.

304 STAINLESS STEEL IN ACCORDANCE WITH ASTM A 240 (TYPE 304).



Specify 6" or 12" max. flange width
(Example: PS 2657 T1-6")
T1 Use with PS 200, PS 210, PS 300,
PS 400, PS 500, PS 520
T2 Use with PS 100, PS 150, PS 200 2T3
T3 Use with PS 150 2T3, PS 100 2T3

Weight/100 pcs: 280 lbs.

SUBMITTAL INFORMATION		
CUSTOMER:	APPROVAL STAMP	
PROJECT NAME:		
PROJECT NUMBER:		SECTION:
PARAGRAPH:		OTHER: