



PS 613 "U" SUPPORT STAINLESS STEEL

411 BURNHAM ST.
P.O. BOX 280186
EAST HARTFORD, CT 06108
TEL (860) 289-0285 FAX (860) 282-1487
TOLL FREE 1-800-969-0285



MATERIAL:

- STAINLESS STEEL-TYPE 304 (ASTM A-240)
- STAINLESS STEEL-TYPE 316 (ASTM A-240)

STANDARD DIMENSIONS:

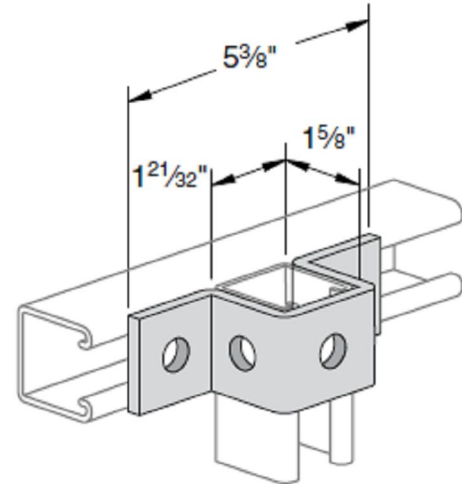
STANDARD DIMENSIONS ON ALL FITTINGS ARE AS FOLLOWS EXCEPT WHERE OTHERWISE INDICATED.

FITTING THICKNESS: 1/4"

FITTING WIDTH: 1 5/8"

HOLE DIAMETER: 9/16"

HOLE SPACING: 1 7/8" ON CENTERS AND 13/16" FROM ENDS.



WEIGHT/100 PCS: 88LBS

Use With: PS 200, PS 210

SUBMITTAL INFORMATION

CUSTOMER:		APPROVAL STAMP
PROJECT NAME:		
PROJECT NUMBER:	SECTION:	
PARAGRAPH:	OTHER:	

REV: A

2009