



PS 718 FLAT ANGLE PLATE

411 BURNHAM ST.
P.O. BOX 280186
EAST HARTFORD, CT 06108
TEL (860) 289-0285 FAX (860) 282-1487
TOLL FREE 1-800-969-0285



MATERIAL: STEEL STAINLESS STEEL ASTM A-240 TYPE 304 TYPE 316

ALL POWER-STRUT FITTINGS ARE FORMED IN PUNCH PRESS DIES FROM MILD, PICKLED AND OILED, BAR OR STRIP STEEL. PLAIN OR ELECTRO-GALVANIZED FITTINGS MEET THE REQUIREMENTS FOR ASTM A-575 AND A-576, OR ASTM A-36.

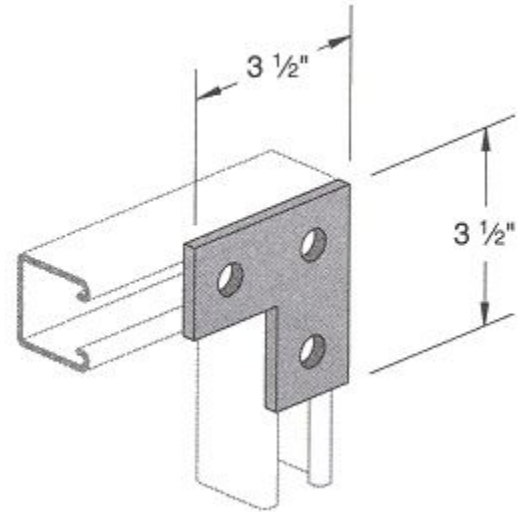
STANDARD DIMENSIONS: STANDARD DIMENSIONS ON ALL FITTINGS ARE AS FOLLOWS EXCEPT WHERE OTHERWISE INDICATED.

FITTING THICKNESS: 1/4"
FITTING WIDTH: 1 5/8"
HOLE DIAMETER: 9/16"

FINISH:

- PAINTED GREEN
- ELECTRO-GALVANIZED
- PVC COATED*
- HOT DIPPED GALVANIZED

*PVC COATING: BLACK POLY VINYL CHLORIDE RESIN COATED TO A MAX THICKNESS OF 20 MILS



SUBMITTAL INFORMATION

CUSTOMER:		APPROVAL STAMP
PROJECT NAME:		
PROJECT NUMBER:	SECTION:	
PARAGRAPH:	OTHER:	