



ADJUSTABLE PIPE SADDLE SUPPORT KIT

411 BURNHAM ST.
P.O. BOX 280186
EAST HARTFORD, CT 06108
TEL (860) 289-0285 FAX (860) 282-1487
TOLL FREE 1-800-969-0285

EMPIRE INDUSTRIES, INC. FIG. #429KT
ERICO FIG. #724
TOLCO FIG. #318A

MATERIAL: DUCTILE IRON SADDLE WITH CARBON STEEL COUPLING, CARBON STEEL NIPPLE AND BASE PLATE, CARBON STEEL U-BOLTS AND NUTS, CAST STEEL REDUCING COUPLING, STAINLESS STEEL SET SCREWS.

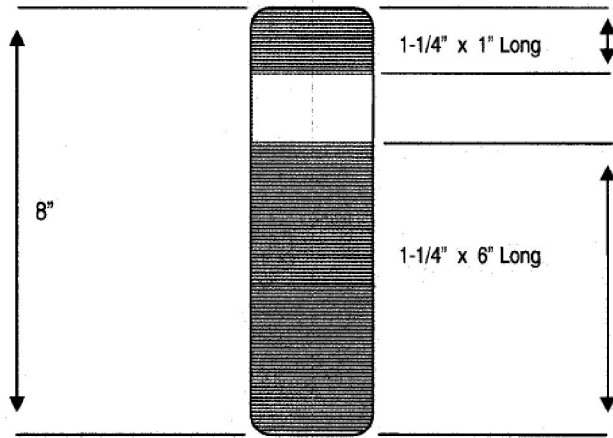
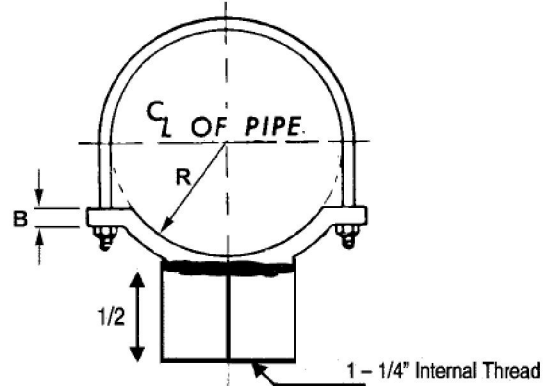
FINISH: ALL ITEMS LISTED ABOVE ARE HOT-DIP GALVANIZED EXCEPT FOR STAINLESS STEEL SET SCREWS.

SERVICE: DESIGNED TO SUPPORT PIPE HORIZONTALLY. STRAIGHT CUT PIPE THREAD ON NIPPLE PROVIDES UP TO 4-1/2 INCHES OF VERTICAL ADJUSTABILITY.

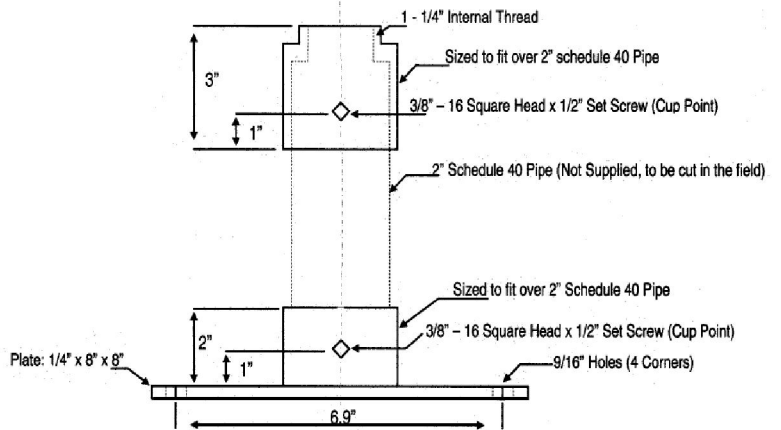
ORDERING: SPECIFY PIPE SIZE AND FIGURE NUMBER.

NOTES: SADDLES ACCOMMODATE DUCTILE IRON PIPE AND IPS. SUPPORT REQUIRES 2" SCHEDULE 40 EXTENSION PIPE TO BE CUT IN THE FIELD.

ALSO AVAILABLE IN 316 STAINLESS STEEL.



PIPE SIZE	R	B
3	2.03"	3/8 X 2
4	2.45"	3/8 X 2
6	3.50"	1/2 X 2
8	4.58"	1/2 X 2
10	5.60"	1/2 X 2
12	6.65"	1/2 X 2



SUBMITTAL INFORMATION

CUSTOMER:		APPROVAL STAMP
PROJECT NAME:		
PROJECT NUMBER:	SECTION:	
PARAGRAPH:	OTHER:	

REV. A

2008