



PIPE STAND

B-LINE B3088

411 BURNHAM ST.
 P.O. BOX 280186
 EAST HARTFORD, CT 06108
 TEL (860) 289-0285 FAX (860) 282-1487
 TOLL FREE 1-800-969-0285

MATERIAL: STEEL

FINISH: PLAIN ELECTRO-PLATED
 HOT-DIPPED GALVANIZED

SERVICE: DESIGNED AS AN UNTHREADED BASE STAND FOR PIPE SUP-
 PORTS B3090, B3095, B3094 AND B3096.

ORDERING: SPECIFY PART NUMBER, HEIGHT AND FINISH.

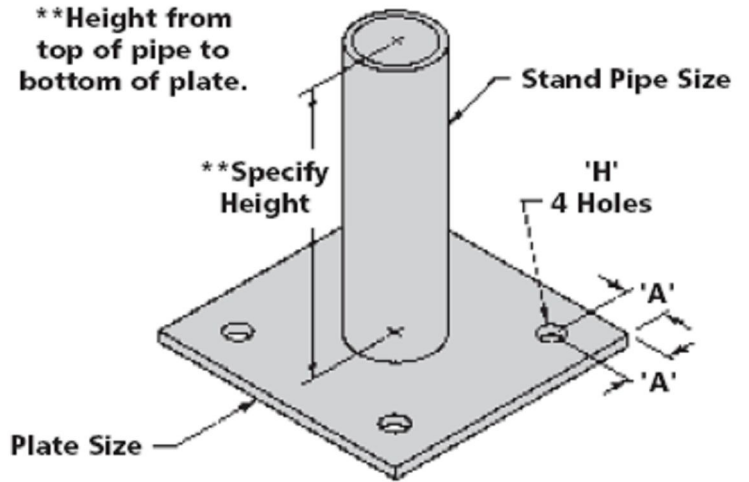


PLATE SIZE	STAND PIPE SIZE	'A'	DIA. 'H'	WT./C*	
				LBS.	KG
1/4" X 6" X 6"	3/4"	7/8"	3/4"	420	
1/4" X 6" X 6"	1"	7/8"	3/4"	480	
1/4" X 6" X 6"	1 1/4"	7/8"	3/4"	590	
1/4" X 6" X 6"	1 1/2"	7/8"	3/4"	655	
1/4" X 6" X 6"	2"	7/8"	3/4"	1211	
3/8" X 8 X 8"	2 1/2"	1 1/4"	13/16"	2376	
3/8" X 12" X 12"	3"	1 1/2"	13/16"	3137	
1/2" X 12' X 12"	4"	1 1/2"	15/16"	4338	
1/2" X 18" X 18"	6"	1 1/2"	1 1/8"	7378	

*Based on a height of 18" (457.2).

SUBMITTAL INFORMATION

CUSTOMER:		APPROVAL STAMP
PROJECT NAME:		
PROJECT NUMBER:	SECTION:	
PARAGRAPH:	OTHER:	